

web control

SEAMING MACHINE
SEAMING MACHINE

K1



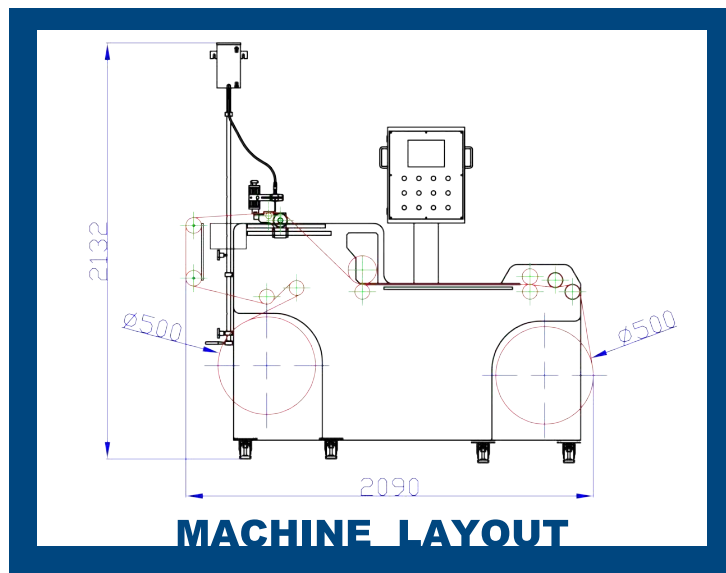
KARLVILLE
BEYOND CONVERTING

web control

- Unwind Edge Guide System
- Adjustable Plate Forming System
- Semi-automatic Tension Control
- Rewind Oscillation
- Touchscreen Control

STANDARD SPECIFICATIONS

Unwind Width	420mm
Unwind Diameter	500mm
Rewind width	55-200mm
Rewind Diameter	500mm
Machine Speed	200m/min.



KARLVILLE DEVELOPMENT LLC

175 SW 7th Street, Suite#2103
Miami, FL 33130
Phone: +1.305.533.1051
Fax: +1.786.329.5696
www.Karlville.com

WEBCONTROL MACHINERY CORP.

No.1, Jingke 7th Rd., Taichung Precision Machinery Park,
Taichung, TAIWAN, 40852
Phone: +886.4.23587272
Fax: +886.4.23580882
www.webcontrol.com.tw